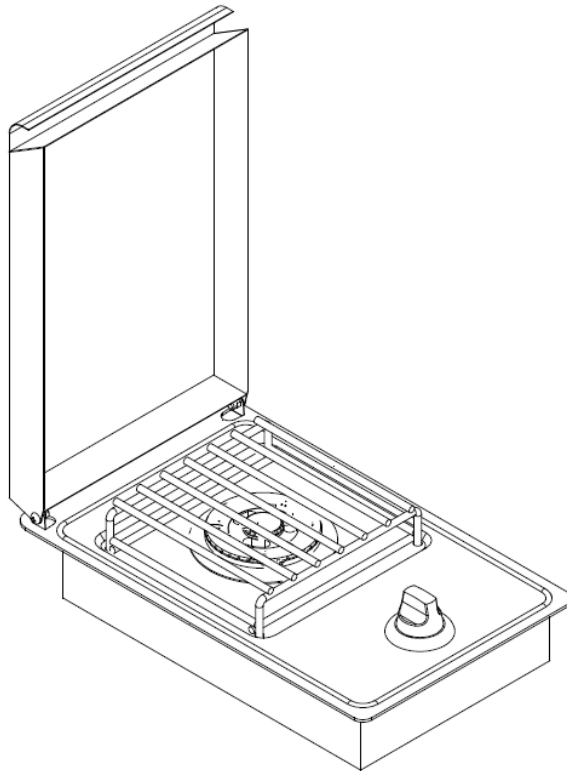




# ASSEMBLY & OPERATING INSTRUCTIONS

- MODEL #98307 BULLET SINGLE SIDEBURNER STAINLESS STEEL, L.P. (PROPANE)  
MODEL #98308 BULLET SINGLE SIDEBURNER STAINLESS STEEL, N.G. (NATURAL GAS)



# TABLE OF CONTENTS

PAGE #

<b>SAFETY INSTRUCTIONS</b> .....	2
<i>THE LOCATION FOR YOUR SINGLE SIDEBURNER</i> .....	2
<i>CHECKING FOR GAS LEAKS</i> .....	2
<i>NATURAL GAS SAFETY</i> .....	3
<i>PROPANE GAS SAFETY</i> .....	4
<b>INSTALLATION INSTRUCTIONS</b> .....	5
<i>SPECIFICATIONS FOR SINGLE SIDEBURNER STRUCTURE</i> .....	5
<i>CONNECTING TO GAS SOURCE</i> .....	5
<i>NATURAL GAS CONNECTIONS</i> .....	5
<i>PROPANE GAS CONNECTIONS</i> .....	5
<i>OUTDOOR NATURAL GAS SINGLE SIDEBURNER INSTALLATION SPECIFICATIONS</i> .....	6
<i>OUTDOOR PROPANE GAS SINGLE SIDEBURNER INSTALLATION SPECIFICATIONS</i> .....	7
<b>INSPECTING / CLEANING BURNER AND GAS VALVE</b> .....	8
<i>BURNER CLEANING</i> .....	8
<i>BURNER REPLACEMENT INTO INSERT</i> .....	9
<i>IGNITER CHECK</i> .....	9
<i>BURNER OPERATION CHECK</i> .....	9
<i>COOKING COMPONENT</i> .....	9
<b>LIGHTING &amp; OPERATING INSTRUCTIONS</b> .....	10
<i>LIGHTING PROCEDURES</i> .....	10
<i>OPERATING PROCEDURE</i> .....	10
<b>CLEANING &amp; MAINTENANCE</b> .....	11
<b>TROUBLESHOOTING</b> .....	12
<i>IF SINGLE SIDEBURNER FAILS TO OPERATE PROPERLY</i> .....	12
<i>FLASH BACK</i> .....	12
<b>PARTS LIST</b> .....	13
<b>EXPLODED ILLUSTRATION</b> .....	14
<b>LIMITED WARRANTY</b> .....	15

- READ THE FOLLOWING INSTRUCTIONS CAREFULLY AND BE SURE YOUR SINGLE SIDEBURNER IS PROPERLY INSTALLED, ASSEMBLED AND CARED FOR. FAILURE TO FOLLOW THESE INSTRUCTIONS MAY RESULT IN SERIOUS BODILY INJURY AND/OR PROPERTY DAMAGE. IF YOU HAVE QUESTIONS CONCERNING ASSEMBLY OR OPERATION, CONSULT YOUR DEALER, GAS APPLIANCE SERVICE REPRESENTATIVE OR YOUR GAS COMPANY.

- NOTE TO INSTALLER:

LEAVE THESE INSTRUCTIONS WITH THE CONSUMER AFTER INSTALLATION.

- NOTE TO THE CONSUMER:

RETAIN THESE INSTRUCTIONS FOR FUTURE REFERENCE.

- THIS OUTDOOR COOKING GAS APPLIANCE IS NOT INTENDED TO BE INSTALLED IN OR ON RECREATIONAL VEHICLES AND/OR BOATS.

\*FOR WARRANTY PURPOSES, PLEASE RECORD YOUR MODEL NUMBER, SERIAL NUMBER, DATE OF PURCHASE & A COPY OF YOUR RECEIPT OR INVOICE IN THE BACK OF YOUR MANUAL ON PAGE 15.



# SAFETY INSTRUCTIONS

## READ CAREFULLY BEFORE ASSEMBLY AND OPERATION OF YOUR SINGLE SIDEBURNER

This single sideburner must be installed in accordance with local codes or, if in an area without local codes, with the latest edition of the National Fuel Gas Code ANSI Z223.1. In Canada, installation must conform to the standard CAN/ CGA 1-b149.1 and/or .2 (Installation Code for Gas Burning Appliances and Equipment) and any local codes.

**WARNING:** Fuels used in gas or oil-fired appliances and the products of combustion of such fuels, contain chemicals known to the State of California to cause cancer, birth defects and/or reproductive harm. This warning is issued pursuant to California Health & Safety Code Sec. 25249.6.

## THE LOCATION FOR YOUR SINGLE SIDEBURNER

**DO NOT use your single sideburner in garages, porches, breezeways, sheds or other enclosed areas.** Your sideburner is to be used **OUTDOORS ONLY**, with at least **21 inches** clearance from the back and side of any combustible surface. The sideburner should not be placed under or on top of any surface that will burn. Do not obstruct the flow of combustion and ventilation air around the insert.

**PROTECT CHILDREN:** Keep children away from the sideburner during use and until it has cooled after you are finished. Do not allow children to operate the sideburner.

### FOR YOUR SAFETY...

**DO NOT store or use gasoline or other flammable vapors and liquids in the vicinity of this or any other appliance.**

**DO NOT store empty or full spare gas cylinders and/or chemicals under or near this or any other appliance.**

**Keep the fuel hose away from hot surfaces. Protect the fuel hose from dripping grease. Avoid unnecessary twisting of the hose. Visually inspect the hose prior to each use for cuts, cracks excessive wear or other damage and replace if necessary.**

**NEVER test for gas leaks with a lighted match or open flame.**

**NEVER light single sideburner with lid closed or before checking to ensure venturi tube is fully seated inside gas valve orifice.**

**NEVER lean over cooking surface while lighting the sideburner. Use barbecue tools with wood handles and good quality insulated oven mitts when operating sideburner.**

### IF YOU SMELL GAS...

1. Shutoff gas to the appliance at its source.
2. Extinguish any open flame.
3. Open sideburner lid to release any accumulation of fumes.
4. If gas odor persists, immediately contact your gas supplier.

## CHECKING FOR GAS LEAKS

**NEVER TEST FOR GAS LEAKS WHILE THE SINGLE SIDEBURNER IS LIT!** Prior to the first use and at the beginning of each new season (or, if using LP, whenever gas cylinder is changed), it is a must that you check for gas leaks. Follow these steps:

1. Make a soap solution by mixing one part liquid detergent and one part water.
2. Turn off the heat control valve, and then turn on gas at source.
3. Apply the soap solution to all gas connections: bubbles will appear in the soap solution if connections are not properly sealed. Tighten or repair as necessary.
4. If you have a gas leak that you cannot repair, turn off the gas at the source, disconnect fuel line from the single sideburner and immediately call your dealer and gas supplier for professional assistance.



# SAFETY INSTRUCTIONS (CONT.)

## NATURAL GAS SAFETY

Your natural gas single sideburner is designed to operate on natural gas ONLY, at a pressure of 4" water column (W.C.) regulated at the natural gas regulator and natural gas orifice located inside the venturi tube. Check with your gas utility for local gas pressure and with your local municipality for building code requirements.

Check with your gas utility or with local building codes for instructions to install gas supply line, or call a licensed and knowledgeable installer.

**It is recommended that an "ON-OFF" shutoff valve be installed at the gas supply source:**

- Outdoors after gas line piping exits outside wall or before gas line piping enters ground.
- Indoors in the branch fuel line in an accessible location near the supply line.

Pipe sealing compound or pipe thread tape of the type resistant to the action of natural gas must be used on all male pipe thread. Apply compound or tape to at least the first three threads when making the connection.

Disconnect your single sideburner from the fuel source when the gas supply is being tested at high pressures. This appliance and its individual shutoff valve must be disconnected from the gas supply piping system during any pressure testing of that system at pressures in excess of 1/2 psig (3.5 kPa).

Turn off your single sideburner when the gas supply is being tested at low pressures. This appliance must be isolated from the gas supply piping system by closing its individual valve.

**WARNING:** The gas valve is preset at the factory to operate on LP or natural gas. If you wish to convert to a different gas type, be sure to contact your single sideburner dealer, licensed plumber or authorized service center for further details. Conversion kits are not sold to the general public and require a professional to perform service. Failure to properly convert a unit can cause serious injury to yourself and/or others, irreparable damage to your sideburner and void of warranty.

## SAFETY!

## BEWARE OF SPIDERS



**CAUTION: BURNER MUST BE INSPECTED AND CLEANED BEFORE FIRST USE.**

Spiders and small insects occasionally spin webs or make nests in the burner during warehousing, transit and/or after long periods of non-use. These webs can lead to a gas flow obstruction, which could result in a fire in and around the burner tube. This type of fire is known as "FLASH-BACK" and can cause serious damage to your single sideburner and create an unsafe operating condition for the user. Although an obstructed burner tube is not the only cause of "FLASH BACK" it is the most common cause, and frequent inspection and cleaning of the burner is necessary.



# SAFETY INSTRUCTIONS (CONT.)

## PROPANE GAS SAFETY

Your propane single sideburner is designed to operate on propane gas ONLY, at a pressure of 11" water column (W.C.) when equipped with a propane regulator on the supply line regulated at the residential meter and a propane orifice located inside the ventri tube.

Your propane single sideburner is designed to be used with a standard 20 lb gas cylinder and must be constructed and marked in accordance with specifications of the US Department of Transportation for Propane Gas Cylinders.

**Always keep cylinder securely fastened in an upright position.**

**Never connect an unregulated propane gas cylinder to the single sideburner.**

**Do not subject propane cylinders to excessive heat.**

**CAUTION:** Never store a propane gas cylinder inside a building or in the vicinity of any gas-burning appliance.

**WARNING:** The gas valve is preset at the factory to operate on LP or natural gas. If you wish to convert to a different gas type, be sure to contact your single sideburner dealer, licensed plumber or authorized service center for further details. Conversion kits are not sold to the general public and require a professional to perform service. Failure to properly convert a unit can cause serious injury to yourself and/or others, irreparable damage to your sideburner and void of warranty.

## SAFETY!

## BEWARE OF SPIDERS



**CAUTION: BURNER MUST BE INSPECTED AND CLEANED BEFORE FIRST USE.**

Spiders and small insects occasionally spin webs or make nests in the burner during warehousing, transit and/or after long periods of non-use. These webs can lead to a gas flow obstruction, which could result in a fire in and around the burner tube. This type of fire is known as "FLASH-BACK" and can cause serious damage to your single sideburner and create an unsafe operating condition for the user. Although an obstructed burner tube is not the only cause of "FLASH BACK" it is the most common cause, and frequent inspection and cleaning of the burner is necessary.

## WARNING

- **Do not store a spare or disconnected liquid propane cylinder under or near this single sideburner.**
- **A dented or rusty liquid propane cylinder may be hazardous and should be check by your liquid propane provider.**
- **Do not use a liquid propane cylinder with a damaged valve.**



# INSTALLATION INSTRUCTIONS

## READ CAREFULLY BEFORE ASSEMBLY AND OPERATION OF YOUR SINGLE SIDEBURNER

Your single sideburner comes to you fully assembled. We strongly recommend professional installation and hookup of the single sideburner. These instructions will provide you with the measurements necessary for you or your builder to construct a masonry structure to house your outdoor single sideburner.

**NOTE TO INSTALLER:** Leave these instructions with the consumer for future reference. The single sideburner must be installed in accordance with all local building codes.

## SPECIFICATIONS FOR SINGLE SIDEBURNER STRUCTURE

1. Your choice of masonry can be used for cabinet construction for the single sideburner; however it must be **non-combustible** material. Keep in mind when choosing a location for your sideburner that it should NOT be located under any overhead combustible construction. Upper and ground level vents must be provided for combustion air on both sides of built-in cabinet. The single sideburner insert must remain unobstructed to allow for combustion air and ventilation.
2. The single sideburner requires a wall opening of the following dimensions: **See PAGES 6 & 7 for different models.**
3. Place single sideburner assembly into wall opening as shown in illustration on pages 6 & 7. The single sideburner rests on the front, back and side edges of the insert.
4. **For propane gas LP TANK STORAGE AREA MUST BE ISOLATED FROM SINGLE SIDEBURNER AND VENTED.**
5. Do not use any combustible materials for this construction. Minimum horizontal clearance to adjacent combustible surface from side and back of the single sideburner must be **21 inches**. A 6 inch clearance is required behind the sideburner to allow for ventilation purposes.

## CONNECTING TO GAS SOURCE

Refer to the following instructions and illustrations for typical gas supply connections. We strongly suggest professional installation and hook-up of the single sideburner.

**IMPORTANT:** Before connecting single sideburner to gas source, make sure the sideburner control knob is in the "OFF" position.

### NATURAL GAS CONNECTIONS

**IMPORTANT:** Bull Outdoor Products does not recommend the use of any quick connect fittings or lines to the unit. Use of these types of fittings or lines could cause low gas flow and greatly reduce the performance of the unit.

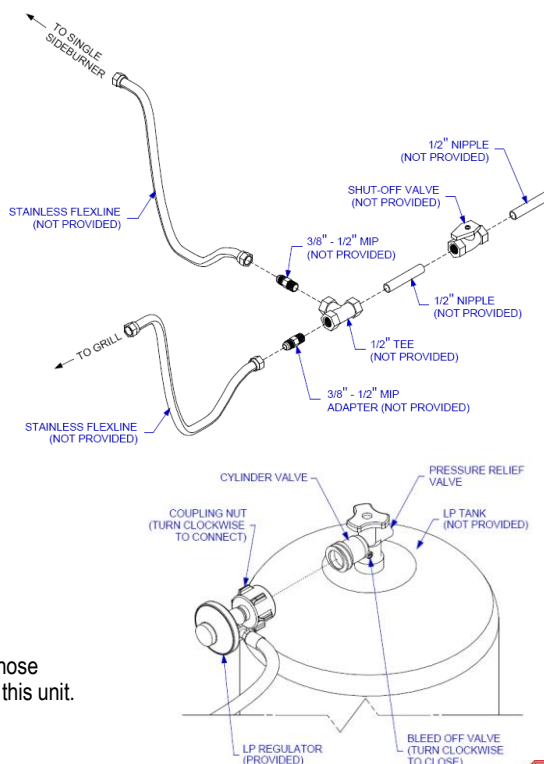
- Pipe sealing compound or pipe thread tape of the type resistant to the action of natural gas must be used on all male pipe thread.
- Apply compound or tape to at least the first three threads when making the connection.
- Attached the other end of flex line to shut-off valve through a nipple.
- Attach a shut-off valve to gas supply pipe.

**PERFORM GAS LEAK CHECK – REFER TO PAGE 2**

### PROPANE GAS CONNECTIONS

- The LP gas hose supplied with this unit must be used without alteration. If this hose needs to be replaced, use only the type 1 specified in the parts list supplied with this unit. Use a LP tank with a type 1 cylinder valve.
- Make sure the tank is firmly secured in an upright position.
- Turn the black coupling nut of the hose and regulator assembly in a clockwise direction.
- Make sure it is completely threaded onto the cylinder valve before turning gas supply on.

**PERFORM GAS LEAK CHECK – REFER TO PAGE 2**



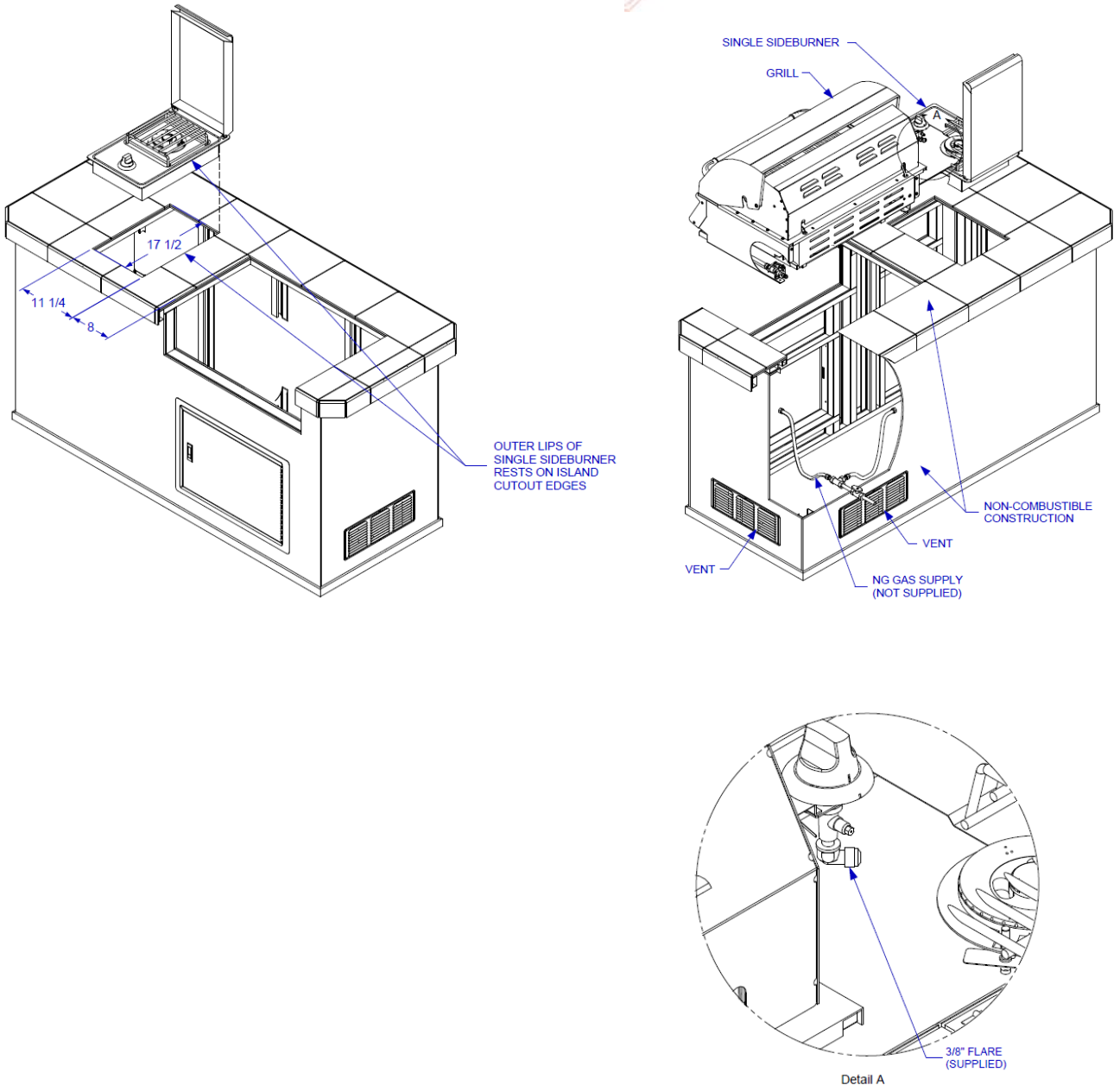


# INSTALLATION INSTRUCTIONS (CONT.)

## OUTDOOR NATURAL GAS SINGLE SIDEBURNER INSTALLATION SPECIFICATIONS

### NOTE:

- Vents must be provided for combustion air and ventilation on both sides of built-in cabinet.
- When choosing a location for your single sideburner keep in mind that it should never be located under any overhead combustible construction.
- The sides and back of the single sideburner should not be any closer than **21 inches** to combustible construction.
- **DO NOT** store empty or full spare tanks under or near this or any other appliance.
- There must be a minimum of 6" counter space behind the single sideburner in order to allow for ventilation purposes.

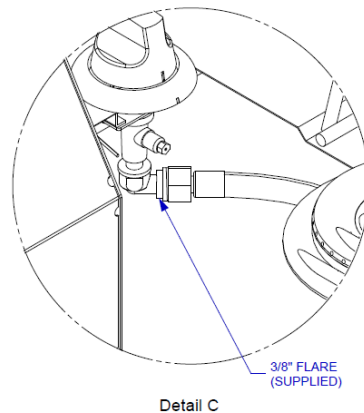
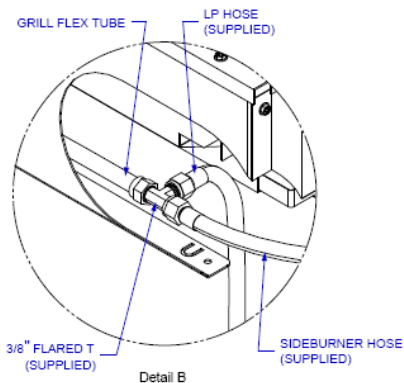
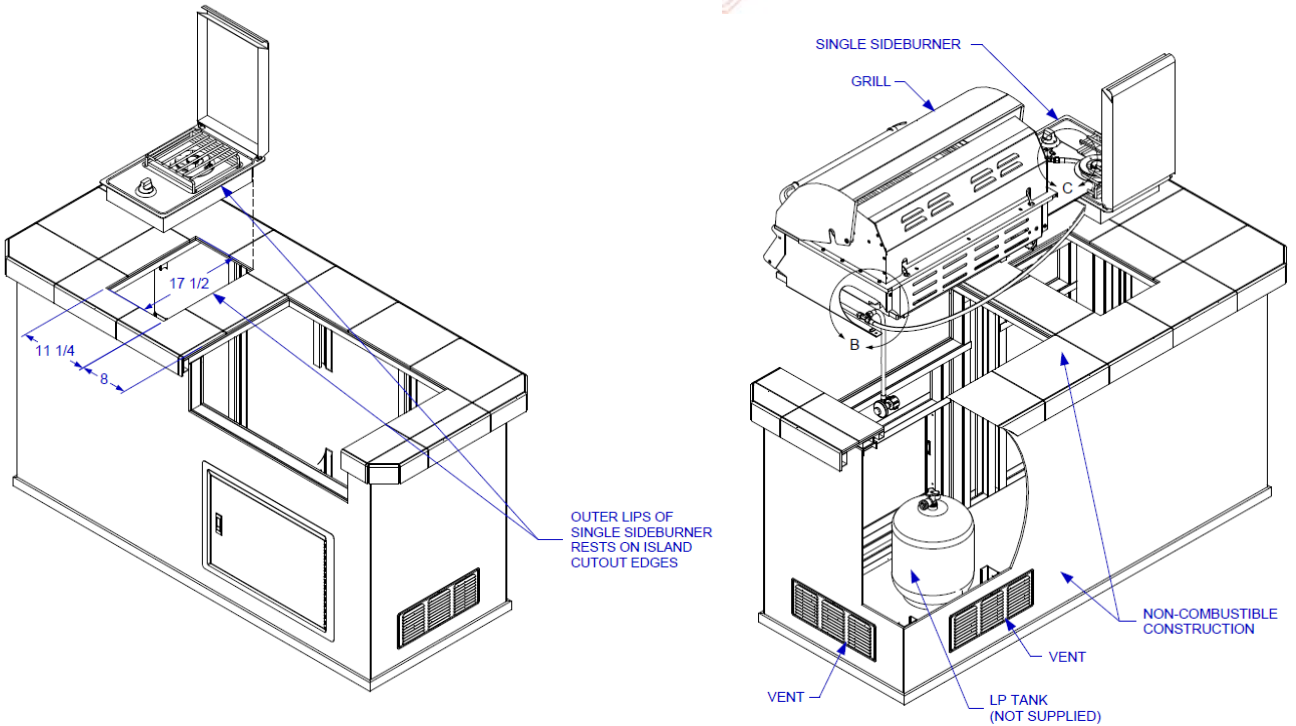


# INSTALLATION INSTRUCTIONS (CONT.)

## OUTDOOR PROPANE GAS SINGLE SIDEBURNER INSTALLATION SPECIFICATIONS

### NOTE:

- Vents must be provided for combustion air and ventilation on both sides of built-in cabinet.
- When choosing a location for your single sideburner keep in mind that it should never be located under any overhead combustible construction.
- The sides and back of the single sideburner should not be any closer than **21 inches** to combustible construction.
- **DO NOT** store empty or full spare tanks under or near this or any other appliance.
- There must be a minimum of 6" counter space behind the single sideburner in order to allow for ventilation purposes.





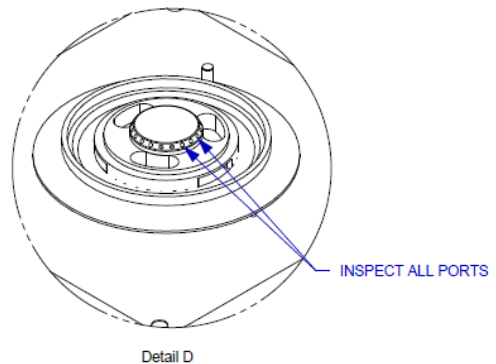
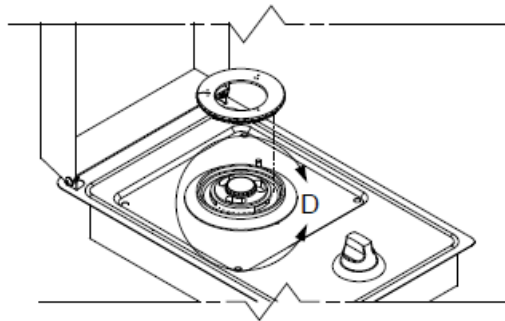
# INSPECTING / CLEANING BURNER AND GAS VALVE

By following these cleaning procedures on a timely basis, your single sideburner will be kept clean and working properly with minimum effort.

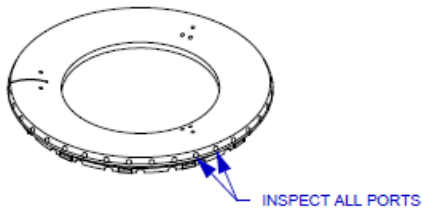
**CAUTION – Always turn off the gas supply prior to clearing your single sideburner.**

## **BURNER CLEANING**

1. Remove the cooking grate.
2. Remove the outer brass ring and inspect all ports. If there is a clogged port, bend a stiff wire into a small hook and run the hook through the port several times.



3. Using a narrow bottlebrush with a flexible handle, run it through the burner openings several times.
4. Inspect the burner assembly for any openings caused by corrosion.
5. Inspect the brass ring ports and clear any clogged ports with a stiff metal wire.



# INSPECTING / CLEANING BURNER AND GAS VALVE (CONT.)

**CAUTION** – Always turn off the gas supply prior to clearing your single sideburner.

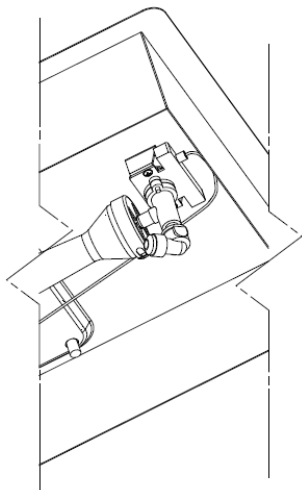
## **IGNITER CHECK**

With the control knob set to “OFF”, check the igniter for presence of spark at burner. Push control knob in fully and turn slowly about a 1/4 turn to the left (counter-clockwise) until a click is heard; the trigger hitting the strike block should produce a blue spark at the igniter tip. Return control knob to “OFF”.

## **BURNER OPERATION CHECK**

**NOTE:** Upon first assembly the gas lines and burner will be full of air. In order for the burner to light properly the lines must fill with gas. It may require several attempts at lighting the burner before you are successful.

1. With the single sideburner control knob in the “OFF” position, turn on the Gas supply.
2. Light the burner by pushing its control knob in fully and slowly (3 to 4 seconds) turning it about 1/4 turn to the left (counter-clockwise) until a click is heard. The 3 to 4 second duration should provide enough gas to light the burner. If the burner does not light, immediately return the control knob to “OFF”, wait several minutes for the gas to disperse, and repeat the process. After burner lights successfully, turn control knob to “OFF”.
3. If the burner fails to light after several attempts, discontinue gas supply at source and re-inspect for obstructions to gas flow and orifice.



## **COOKING COMPONENT**

**IMPORTANT:** Before first use: wash cooking grate with warm, soapy water. Rinse and dry thoroughly.

**NOW YOUR SINGLE SIDEBURNER IS READY TO USE!**

Before first use and at the beginning of each barbecue season:

1. Please read Safety, Lighting and Operating Instructions carefully.
2. Check gas valve, orifice, venturi tube and burner ports for any obstructions.
3. PERFORM GAS LEAK CHECK – REFER TO **PAGE 2**.



# LIGHTING & OPERATING INSTRUCTIONS

**CAUTION: TO ENSURE YOUR SAFETY, DO NOT OPERATE SINGLE SIDEBURNER UNTIL YOU FULLY READ AND UNDERSTAND THE INSTRUCTIONS.**

## **LIGHTING PROCEDURES**

### **Lighting Burner:**

1. Become familiar with the safety guidelines at the front of the manual. **DO NOT SMOKE WHILE LIGHTING SINGLE SIDEBURNER OR CHECKING GAS SUPPLY CONNECTIONS!**
2. If your single sideburner fuel source is a LP gas cylinder, check to see that cylinder is filled.
3. Check that the valve orifice is properly seated inside the ventri tube.
4. Make sure all gas connections are securely tightened. **TEST FOR LEAKS WITH A SOAP SOLUTION, NEVER WITH A FLAME.** (Gas Leak Check instructions are on page 2).
5. Always open lid before lighting.
6. Set control knob to "OFF" and open gas supply, LP cylinder or natural gas valve.
7. To ignite the burner: Push in control knob completely and rotate slowly (3 to 4 seconds) about 1/4 turn to the left (counter clockwise) until a click is heard. The 3 to 4 second duration should provide enough gas to light the burner. If the burner does not light, immediately return the control knob to 'OFF', wait several minutes for the gas to disperse, and repeat the process.
8. Adjust control knob to desired cooking temperature.

**NOTE:** If igniter fails to produce a spark at the electrode tip, burner can be manually lit with a fireplace-type match.

**NOTE:** To light the single sideburner with a fireplace-type match, follow steps 1 through 6 above. Remove cooking grate and insert lighted fireplace-type match or long-necked butane lighter placing flame near to burner ports. Press in control knob and rotate left to "HIGH" setting to release gas. Burner should light immediately. Replace cooking grate and adjust burner to desired cooking temperature.

## **OPERATING PROCEDURE**

**Burn-off:** Before cooking on your single sideburner for the first time, burn the sideburner to get rid of any odors or foreign matter by igniting the burner and operating at "HIGH" setting for about five minutes. You may then either set the control to "OFF" or cook on your single sideburner immediately by turning the control knob to a lower setting.

**CAUTION: DO NOT LEAVE SINGLE SIDEBURNER UNATTENDED WHILE IN USE.**



# CLEANING & MAINTENANCE

**CAUTION: ALWAYS ALLOW THE SINGLE SIDEBURNER TO COOL COMPLETELY BEFORE CLEANING.**

## CLEANING THE COOKING GRATE

After cooking, turn control knob to "OFF" and let single sideburner cool before attempting to clean your cooking grate. Before first use and periodically it is suggested that you wash the cooking grate in a mild soap and warm water solution. You can use a washcloth or a vegetable brush to clean your cooking grate.

## CLEANING THE BURNER

**IMPORTANT:** Gas control knob should be in the "OFF" position, and fuel line should be disconnected from gas valve. To reduce the chance of FLASHBACK, the procedure below should be followed at least once a month or when your single sideburner has not been used for an extended period of time.

1. Remove cooking grate and outer brass ring.
2. Wash the burner brass ring in a mild soap and warm water solution to remove residue and dirt. Clean any clogged burner ports with a stiff wire such as an open paper clip.
3. Inspect the burner for damage (cracks or holes) and if such damage is found, order and install a new burner. Clean any clogged burner ports with a stiff wire such as an open paper clip.
4. After installation, check to ensure that the burner brass ring is correctly placed on the burner.

## ANNUAL CLEANING OF SINGLE SIDEBURNER HOUSING

Periodically the single sideburner should be given an entire thorough cleaning to ensure optimal performance.

1. Shut off gas supply at source and disconnect fuel line from gas valve. Protect fuel line fitting.
2. Remove and clean the cooking grate as explained above.
3. Cover the gas orifice with a piece of aluminum foil.
4. Brush the inside of the single sideburner with a brush, and wash down with a mild soap and warm water solution. Rinse thoroughly and let dry.
5. Remove aluminum foil from the orifice and check for obstruction.
6. Check igniter as instructed on page 9.
7. Replace cooking grate.
8. Reconnect to gas source and observe burner flame for correct operation.

**IMPORTANT:** You should NOT line the bottom of the single sideburner housing with aluminum foil, sand or any other grease absorbent substance. A fire could occur.

## STAINLESS STEEL CLEANING AND MAINTENANCE

Stainless steel is a corrosion resistant chromium/nickel alloy steel that is both durable as well as strong with an outstanding luster. The goal of your cleaning and maintenance routine should be to keep the stainless steel's protective chromium oxide layer intact. This is what prevents corrosion. Contrary to popular belief, stainless steel is NOT rustproof, especially in the environment of a swimming pool. Chlorine, bromine, some fertilizers and other elements are extremely caustic chemicals for stainless steel. These chemicals combined with heat and humidity greatly increase the corrosiveness of these chemicals. Regular cleaning is the best way to prevent corrosion and add years of enjoyment to your Bull stainless steel products.



# TROUBLESHOOTING

## IF SINGLE SIDEBURNER FAILS TO OPERATE PROPERLY

1. Turn off gas at source, turn control knob to "OFF", and wait five minutes before trying again.
2. Check gas supply/connections.
3. Repeat lighting procedure.

If single sideburner still fails to operate properly, **TURN "OFF" GAS AT SOURCE, TURN CONTROL KNOB TO "OFF"**, wait for sideburner to cool, and check the following:

### a. Misalignment of burner tube over ventri tube

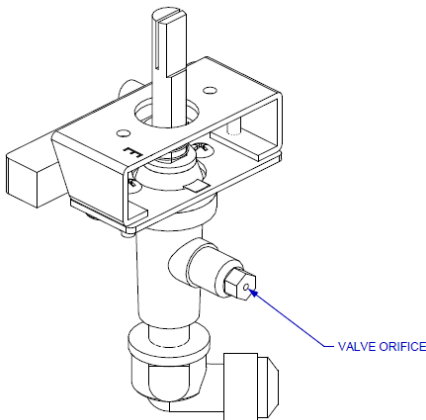
**CORRECTION:** Reposition burner tube to properly seat inside ventri tube.

### b. Obstruction in gas line

**CORRECTION:** Remove fuel line from the single sideburner. **DO NOT SMOKE AROUND EXPOSED GAS LINE!** Open gas supply for one second to blow any obstruction from fuel line. Close off gas supply at source and reconnect fuel line to the sideburner.

### c. Plugged orifice

**CORRECTION:** Remove the valve from the ventri tube and gently clear any obstruction in the orifice with a fine wire. Re-install the valve into the ventri tube. If an obstruction is suspected in the gas valve or the ventri tube, please contact your single sideburner dealer or gas appliance service person for assistance.



### d. Misalignment of igniter on burner

**CORRECTION:** Check for proper position of igniter tip. The tip of the igniter should be relatively close to the burner ports and free from grease for spark discharging. The ignition wire should be firmly connected to the valve ignition and igniter. Replace the ignition wire if the wire were broken or cracked. With gas supply closed and the control knob set to "OFF", check the positive igniter individually for presence of spark at igniter tip. Push the control knob in fully and rotate about 1/4 turn to the left (counter-clockwise) until click is heard; the trigger hitting the strike block should produce a blue spark at the igniter tip. Return control knob to "OFF".

### If re-ignition is necessary

While the single sideburner is still hot, you must wait for a minimum of five minutes before commencing to re-ignite (this allows accumulated gas fumes to clear). If all checks/corrections have been made and the single sideburner still fails to operate properly, consult your sideburner dealer or gas appliance service person.

## FLASHBACK

When fire occurs in and around the burner tube, immediately turn off gas at its source and turn the control knob to "OFF". Wait until the single sideburner has cooled completely, then clean the burner tube as described on page 8.



# PARTS LIST

**MODEL #98307 BULLET SINGLE SIDEBURNER STAINLESS STEEL, L.P. (PROPANE)**  
**MODEL #98308 BULLET SINGLE SIDEBURNER STAINLESS STEEL, N.G. (NATURAL GAS)**

REF #	PARTS #	DESCRIPTION	QTY	WARRANTY PERIOD
1	98312	LID	1	1 Yr
2	44310	COOKING GRATE	1	5 Yrs
3	64004(LP)/64005(NG)	VALVE	1	1 Yr
4	16539	BRASS BURNER	1	3 Yrs
5	16540	ELECTRODE	1	1 Yr
6	16541	VENTRI TUBE	1	1 Yr
7	16543	KNOB	1	1 Yr
8	16502	BEZEL	1	1 Yr
9	16544	SIDEBURNER LP HOSE - LIQUID PROPANE MODEL ONLY	1	1 Yr

## HOW TO ORDER REPLACEMENT PARTS

Please refer to the parts list on this page.

To make sure you obtain the correct replacement parts for your single sideburner, the following information is required to assure getting the correct part.

1. Single sideburner model number (see data sticker on sideburner) and type of gas hook up.
2. Reference number of replacement part needed.
3. Description of replacement part needed.
4. Quantity of parts needed.

**IMPORTANT:** Use only factory authorized parts. The use of any part that is not factory authorized can be dangerous. This will also void your warranty.

**IMPORTANT:** Keep this assembly and operating instruction manual for referral, and for replacement parts ordering.

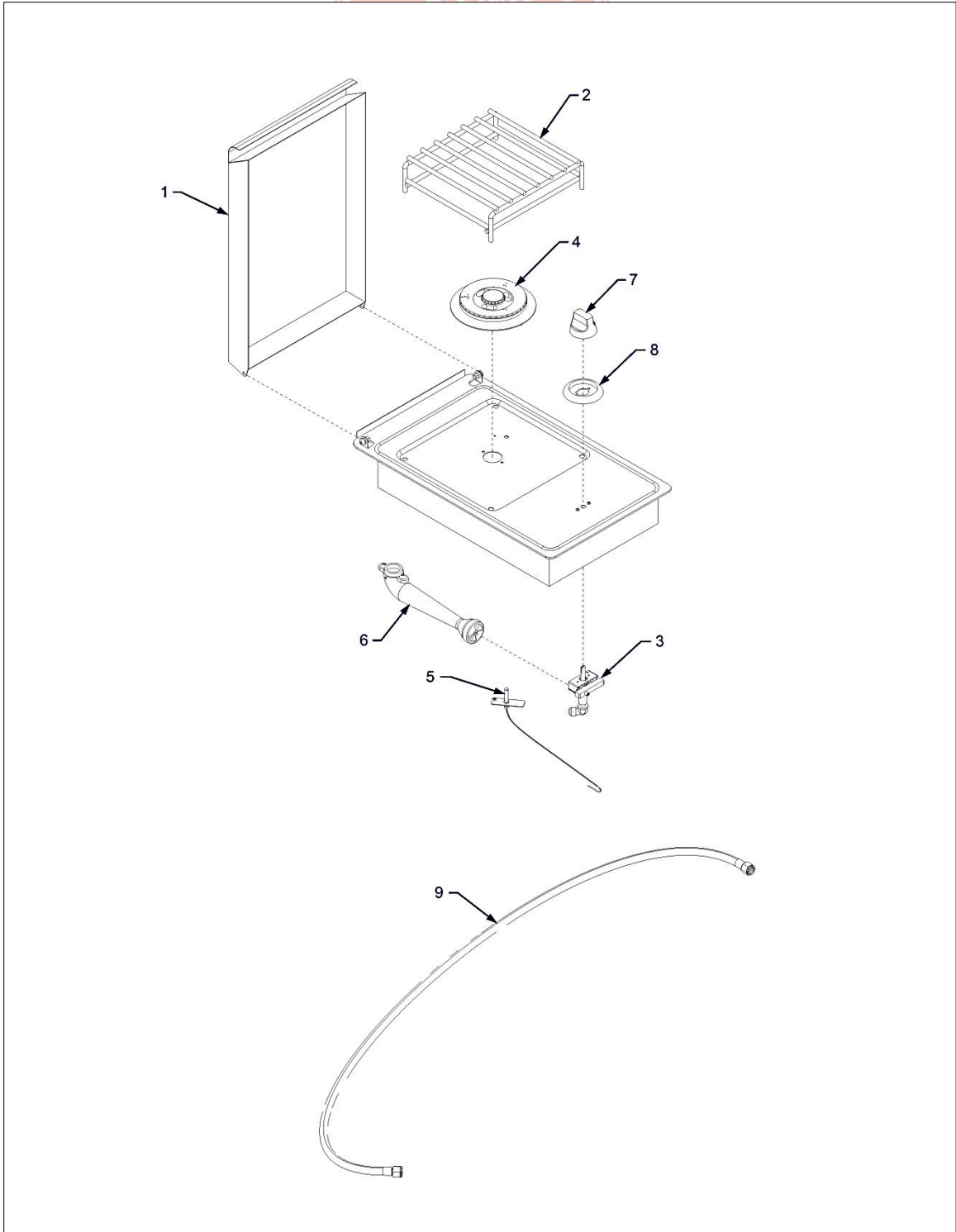
**CAUTION:** The gas valve is preset at the factory. If you wish to convert at some later date, be sure to contact your gas supplier or single sideburner dealer before making the conversion.

**CAUTION:** A different gas valve must be installed when converting from one type of gas to another. You will also need a data plate indicating what type of gas the sideburner uses.





# EXPLODED ILLUSTRATION



# LIMITED WARRANTY

Bull Outdoor Products, Inc. warrants to the original purchaser at the original site of delivery with proof of purchase of each Outdoor Gas Sideburner that when subject to normal residential use, it is free from defects in workmanship and materials for the periods specified below. This warranty excludes sideburners used in rental or commercial applications. It does not apply to rust, corrosion, oxidation or discoloration, which may occur due to moisture or overheating, unless the affected component becomes inoperable. It does not cover labor or labor related charges. There will be a shipping and handling charge for the delivery of the warranty part(s).

Our obligation under this warranty is limited to repair or replacement, at our option, of the product during the warranty period. The extent of any liability of Bull Outdoor Products, Inc., under this warranty is limited to repair or replacement. This warranty does not cover normal wear of parts, damage resulting from any of the following: negligent use or misuse of the product, use on improper fuel/gas supply, use contrary to operating instructions, or alteration by any person other than our factory service center. The warranty period is not extended by such repair or replacement.

**Warranty claim procedure:** If you require service or parts for your Bullet sideburner, please contact our Warranty Service Center for factory direct assistance. Our hours of operation are 8AM to 4 PM PST. Our phone number is (800) 521-2855 and our FAX number is (909) 770-8627. Please direct all correspondence to: **Bull Outdoor Products, Inc., 2483 W. Walnut Ave., Rialto, CA 92376.** ATTN: Warranty Service Center

Product repair as provided under this warranty is your exclusive remedy. Bull Outdoor Products, Inc. shall not be liable for any incidental or consequential damages for breach of any express or implied warranty on its products. Except to the extent prohibited by applicable law, any implied warranty or merchantability or fitness for a particular purpose on this product to the duration of the above warranty. Some states do not allow the exclusion or limitation of incidental or consequential damages, or allow limitations on how long an implied warranty lasts, so the above limitations or exclusions may not apply to you. This warranty gives you specific legal rights, and you may have other rights, which vary from state to state.

**Model Number** \_\_\_\_\_

**Serial Number** \_\_\_\_\_

**Date of Purchase** \_\_\_\_\_

***\*Attach a copy of your receipt or invoice here\****

